

## iQ700, Built-in steamer, 60 x 45 cm, Stainless steel CD634GBS1



The compact steamer for delicious, low-fat, healthy food preparation.

- ✓ The full steam function: making it simple to cook healthy and delicious meals
- ✓ TFT Display: good readability from any perspective.
- ✓ softMove: gentle opening and closing of the oven door.

### Features

#### Technical Data

Color / Material Front : Stainless steel  
 Construction type : Built-in  
 Required niche size for installation (HxWxD) : 450-455 x 560-568 x 550  
 Dimensions : 455 x 594 x 548  
 Dimensions of the packed product (HxWxD) (mm) : 525 x 650 x 705  
 Control Panel Material : Stainless steel  
 Door Material : Glass  
 Net weight (kg) : 24.873  
 Approval certificates : CE, VDE  
 Length of electrical supply cord (cm) : 150  
 EAN code : 4242003658338  
 Connection rating (W) : 1750  
 Current (A) : 10  
 Voltage (V) : 220-240  
 Frequency (Hz) : 60; 50  
 Plug type : Gardy plug w/ earthing  
 Approval certificates : CE, VDE



### Included accessories

1 x steam container, punched, size L, 1 x steam container, unpunched, size L, 1 x sponge

### Optional accessories

HZ915003 Glass roasting dish, 5,4 L  
 HZ66X650 Cover Strip  
 HZ66X600 Decor list

**iQ700, Built-in steamer, 60 x 45 cm,  
Stainless steel  
CD634GBS1**

#### Features

##### Design

- Drop down oven door, softClose, softOpen
- 
- Cavity inner surface: Stainless steel
- 2.8" TFT Display
- Control panel lock
- Automatic safety switch off
- Start button
- Door contact switch
- 

##### Features

- Electronic oven clock timer
- 1 interior light, Light on/off when door opened/closed
- Tank empty indicator
- Integral cooling fan

##### Programmes/functions

- Automatic programmes

##### Technical information

- Cavity volume: 38 litres
- 1.3 l Water tank capacity:
- Location of water tank: Inside cavity
- Power cord length 150 cm Cable length
- Total connected load electric: 1.75 KW
- Appliance dimension (hxwxh): 455 mm x 594 mm x 548 mm
- Please refer to the dimensions provided in the installation manual

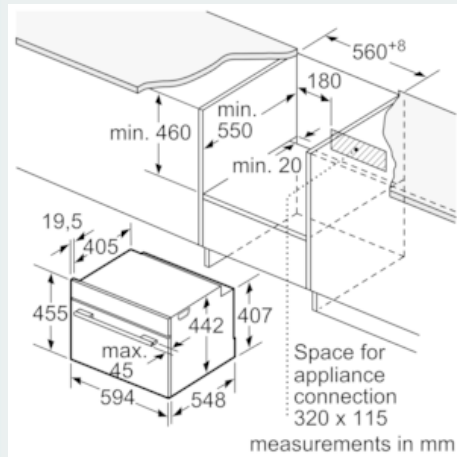
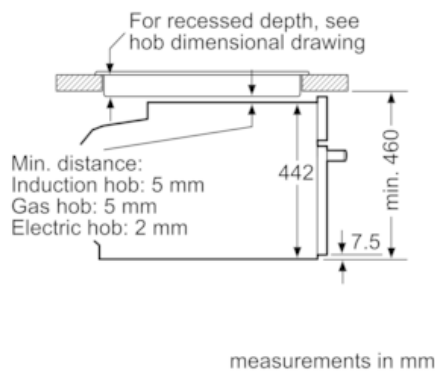
##### Accessories

- 1 x steam container, punched, size L, 1 x steam container, unpunched, size L, 1 x sponge

## iQ700, Built-in steamer, 60 x 45 cm, Stainless steel CD634GBS1

### Dimensioned drawings

Installation with a hob.



If the compact appliance will be installed underneath a hob, the following worktop thicknesses (including substructure if necessary) must be taken into account.

Hob type	min. worktop thickness	
	fitted	flush
Induction hob	42 mm	43 mm
Full surface Induction hob	52 mm	53 mm
Gas hob	32 mm	43 mm
Electric hob	32 mm	35 mm

