

iQ700, Built-in oven, 60 x 60 cm, Stainless steel HB632GBS1B



A+



Shorten your cooking time thanks to fast preheat and coolStart.

- ✓ fast preheat: reach the required baking temperature sooner; coolStart: no need to preheat the oven for deep frozen food.
- ✓ ecoClean: Cut down on oven cleaning
- ✓ TFT Display: good readability from any perspective.
- ✓ 4D hotAir: flexible choice of shelf.
- ✓ softMove: gentle opening and closing of the oven door.

Features

Technical Data

Color / Material Front : Stainless steel
 Construction type : Built-in
 Integrated Cleaning system : Catalytic partial
 Required niche size for installation (HxWxD) : 585-595 x 560-568 x 550
 Dimensions : 595 x 594 x 548
 Dimensions of the packed product (HxWxD) (mm) : 670 x 680 x 670
 Control Panel Material : Stainless steel
 Door Material : Glass
 Net weight (kg) : 34.840
 Usable volume of cavity (l) : 71
 Cooking method : Conventional heat, Full width grill, Hot Air-Eco, Hot air grilling, Pizza setting
 Temperature control : electronic
 Number of interior lights : 1
 Approval certificates : CE, VDE
 Length of electrical supply cord (cm) : 120
 EAN code : 4242003672495
 Number of cavities (2010/30/EC) : 1
 Energy efficiency rating : A+
 Energy consumption per cycle conventional (2010/30/EC) : 0.87
 Energy consumption per cycle forced air convection (2010/30/EC) : 0.69
 Energy efficiency index (2010/30/EC) : 81.2
 Connection rating (W) : 3600
 Current (A) : 16
 Voltage (V) : 220-240
 Frequency (Hz) : 60; 50
 Plug type : no plug

Included accessories

- 2 x combination grid
- 1 x universal pan

Optional accessories

- HZ915003
- HZ66X650
- HZ638300
- HZ638100
- HZ636000
- HZ634000 Baking and roasting grid (standard)
- HZ631070 Baking tray, anthracite enamelled
- HZ625071
- HZ531010
- HZ327000



iQ700, Built-in oven, 60 x 60 cm, Stainless steel HB632GBS1B

Features

Design

- 2.8" TFT Display
- Cavity inner surface: enamel anthracite
- Drop down oven door, softClose, softOpen
-
- Stainless steel control dial
- We recommend you to choose complementary products within iQ700, in order to assure an optimal design combination of your Built-In appliances.

Features

- Digital temperature display with proposal
- Actual temperature display
- Heating-up indicator
-
- Control panel lock
- Automatic safety switch off
- Residual heat indicator
- Start button
- Door contact switch
-
- Electronic oven clock timer
- Integral cooling fan
- 5 shelf positions in oven

Cleaning

- EcoClean Direct : back panel

Programmes/functions

- Fast preheat
- Oven with 8 main functions, 8 main functions heating methods:
4D hot air, hotairGentle, conventional top & bottom heating,
Conventional heat Gentle, hot air grilling, full width grill, Pizza
setting, coolStart

Accessories

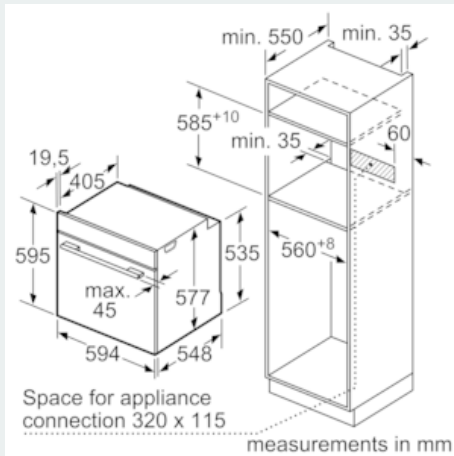
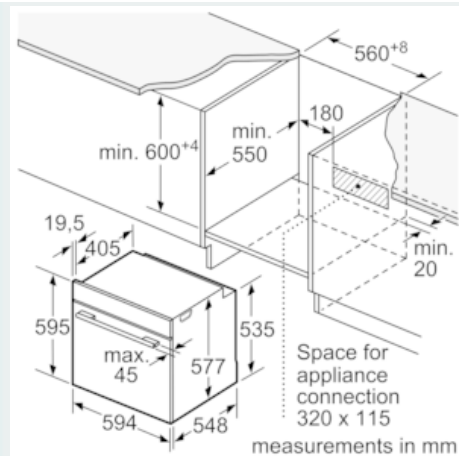
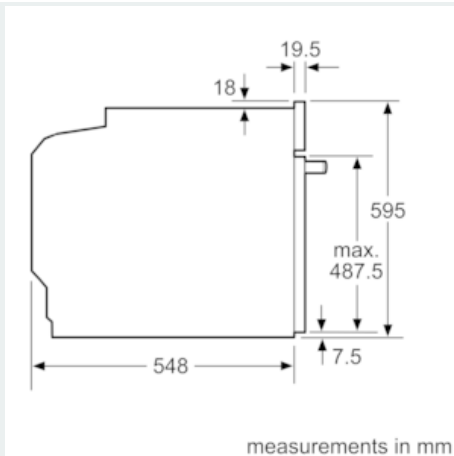
- 1 x universal pan, 2 x combination grid
- Cavity with shelf support rails

Technical information

- Energy efficiency rating (acc. EU Nr. 65/2014): A+
- Energy consumption per cycle in conventional mode: 0.87 kWh
- Energy consumption per cycle in fan-forced convection mode: 0.69 kWh
- Number of cavities: Main cavity
- Heat source: electrical
- Cavity volume: 71 litres
- Temperature range 30 °C - 275 °C
- Total connected load electric: 3.6 KW
- 120 cm Cable length
- Nominal voltage: 220 - 240 V
- Appliance dimension (hxwxd): 595 mm x 594 mm x 548 mm
- Niche dimension (hxwxd): 585 mm - 595 mm x 560 mm - 568 mm x 550 mm
- Please refer to the dimensions provided in the installation manual

**iQ700, Built-in oven, 60 x 60 cm,
Stainless steel
HB632GBS1B**

Dimensioned drawings



If the appliance will be installed underneath a hob, the following worktop thicknesses (including substructure if necessary) must be taken into account.

Hob type	min. worktop thickness	
	fitted	flush
Induction hob	37 mm	38 mm
Full surface Induction hob	47 mm	48 mm
Gas hob	30 mm	38 mm
Electric hob	27 mm	30 mm