

iQ700, Built-in oven, 60 x 60 cm, Stainless steel HB678GBS6B



Shorten your cooking time thanks to fast preheat, coolStart and activeClean. And remote control your oven from anywhere with Home Connect.

- ✓ fast preheat: reach the required baking temperature sooner;
- ✓ coolStart: no need to preheat the oven for deep frozen food.
- ✓ activeClean: the automatic system for effortless cleaning.
- ✓ Home Connect: Allows access and control your oven, no matter where you are - with the easy-to-use Home Connect App
- ✓ roastingSensor Plus: simply reliable roasting.
- ✓ TFT Touchdisplay Plus: clear text display and intuitive operation.

Features

Technical Data

Color / Material Front : Stainless steel
 Construction type : Built-in
 Integrated Cleaning system : Hydrolytic, Pyrolytic
 Required niche size for installation (HxWxD) : 585-595 x 560-568 x 550
 Dimensions : 595 x 594 x 548
 Dimensions of the packed product (HxWxD) (mm) : 670 x 680 x 670
 Control Panel Material : Stainless steel
 Door Material : Glass
 Net weight (kg) : 47.372
 Usable volume of cavity (l) : 71
 Cooking method : Bottom heat, Conventional heat, Dehydrate, Full width grill, Half width grill, Hot Air-Eco, Hot air grilling, Intensive heat, low temperature cooking, Pizza setting, pre-heating, warming
 Temperature control : electronic
 Number of interior lights : 3
 Approval certificates : CE, VDE
 Length of electrical supply cord (cm) : 120
 EAN code : 4242003746158
 Number of cavities (2010/30/EC) : 1
 Energy efficiency rating : A+
 Energy consumption per cycle conventional (2010/30/EC) : 0.87
 Energy consumption per cycle forced air convection (2010/30/EC) : 0.69
 Energy efficiency index (2010/30/EC) : 81.2
 Connection rating (W) : 3600
 Current (A) : 16
 Voltage (V) : 220-240
 Frequency (Hz) : 50; 60
 Plug type : no plug

Included accessories

- 2 x combination grid
- 1 x universal pan

Optional accessories

- HZ915003 Glass roasting dish, 5,4 L
- HZ66X650 Cover Strip
- HZ638370 3 level telescopic rails, full ext, pyro
- HZ638170 1 level telescopic rail, full ext, pyro
- HZ636000 Glass pan
- HZ634000 Baking and roasting grid (standard)
- HZ631070 Baking tray, anthracite enamelled
- HZ625071 Grill tray, anthracite enamelled
- HZ531010 Baking tray, non-stick ceramic coated
- HZ327000 Baking stone



iQ700, Built-in oven, 60 x 60 cm, Stainless steel HB678GBS6B

Features

Design

- 5.7" TFT touchDisplay Plus
- Enamel anthracite
- Drop down oven door,softClose,softOpen
-
- Multilevel LED Illumination,LED light,Light on/off when door opened/closed
- Stainless steel control dial
- Bar handle
- We recommend you to choose complementary products within iQ700, in order to assure an optimal design combination of your Built-In appliances.

Features

- Digital temperature display with proposal
- Actual temperature display
- Heating-up indicator
- Sabbath setting
- Temperature probe
-
- Electronic door lock
- Control panel lock
- Automatic safety switch off
- Residual heat indicator
- Start button
- Door contact switch
-
- WLAN - Home connect enabled
- cookControl Plus
- bakingSensor
- roastingSensor Plus
-
- Electronic oven clock timer
- Integral cooling fan
- 5 shelf positions in oven

Cleaning

- activeClean
- Full glass inner door

Programmes/functions

- Oven with 15 P heating methods: 4D hot air, hot air Gentle, conventional top & bottom heating, Conventional heat Gentle, hot air grilling, full width grill, half width grill, Pizza setting, coolStart, bottom heat, intensive conventional heat, low temperature cooking, keep warm, dehydrate, plate warming
- Fast preheat

Accessories

- 2 x combination grid, 1 x universal pan
- Cavity with shelf support rails

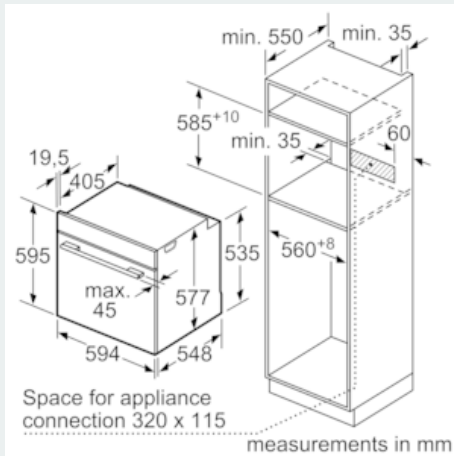
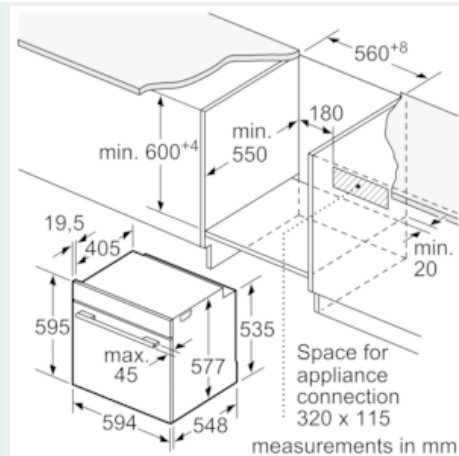
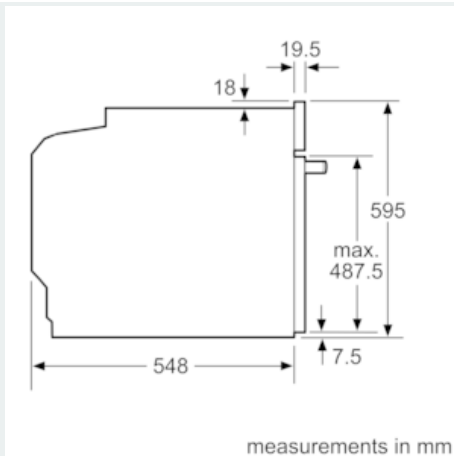
Technical information

- Energy efficiency rating (acc. EU Nr. 65/2014): A+
- Energy consumption per cycle in conventional mode: 0.87 kWh
- Energy consumption per cycle in fan-forced convection mode: 0.69 kWh
- Number of cavities: Main cavity
- Heat source: electrical

- Cavity volume: 71 litres
- Temperature range: 30 °C - 275 °C
- Total connected load electric: 3.6 KW
- 120 cm Cable length
- Nominal voltage: 220 - 240 V
- Appliance dimension (hxwx): 595 mm x 594 mm x 548 mm
- Niche dimension (hxwx): 585 mm x 595 mm x 560 mm x 568 mm x 550 mm
- Please refer to the dimensions provided in the installation manual

**iQ700, Built-in oven, 60 x 60 cm,
Stainless steel
HB678GBS6B**

Dimensioned drawings



If the appliance will be installed underneath a hob, the following worktop thicknesses (including substructure if necessary) must be taken into account.

Hob type	min. worktop thickness	
	fitted	flush
Induction hob	37 mm	38 mm
Full surface Induction hob	47 mm	48 mm
Gas hob	30 mm	38 mm
Electric hob	27 mm	30 mm