

N 50, BUILT-IN FRIDGE, 122.5 X 56 CM, FLAT HINGE  
K11412FE0



This built-in refrigerator keeps food at its freshest thanks to the ideal air circulation Eco Air Flow and flexible storage options.

- ✓ Fresh Safe – Fridge drawer for dedicated fresh fruit and veg storage.
- ✓ Adjustable Glass Shelves – Height adjustable shelves create the space you need for inspiring dishes in your fridge
- ✓ Eco Air Flow – Even air circulation for constant temperatures and fast cooling.
- ✓ LED Light – Pleasant illumination for the entire fridge, with long-life LEDs.
- ✓ Our safety glass shelves happily shoulder generous loads of delicacies in your fridge

Energy Efficiency Class: .....E  
 Average annual energy consumption in kilowatt hour per year (kWh/a): ..... 101 kWh/a  
 Sum of volume of frozen compartments: ..... 0 l  
 Sum of volume of chill compartments: ..... 204 l  
 Airborne acoustical noise emissions : ..... 35 dB(A) re 1pW  
 Airborne acoustical noise emission class: ..... B  
 Built-in / Free-standing: ..... Built-in  
 Door panel options: ..... Possible but accessory  
 Height: ..... 1221 mm  
 Width of the appliance: ..... 541 mm  
 Depth: ..... 548 mm  
 Min. required niche size for installation (HxWxD): .. 1225.0 x 560 x 550 mm  
 Net weight: ..... 39.4 kg  
 Fuse protection: ..... 10 A  
 Door hinge: ..... Right reversible  
 Voltage: ..... 220-240 V  
 Frequency: ..... 50 Hz  
 Length electrical supply cord: ..... 230.0 cm  
 Number of compressors: ..... 1  
 Number of independent cooling systems: ..... 1  
 Interior ventilator: ..... No  
 Reversible Door Hinge: ..... Yes  
 Number of Adjustable Shelves in fridge compartment: ..... 4  
 Shelves for Bottles: ..... No  
 EAN code: ..... 4242004264736  
 Brand: ..... Neff  
 Product name / Commercial code: ..... K11412FE0  
 Product category: ..... Refrigerator  
 Frost free system: ..... No  
 Installation typology: ..... Full-integrated  
 Included accessories: ..... 2 x egg tray

2 x egg tray

KS6B0RZ0 Bottle Rack  
 KSGG0MZ0 Butter box  
 KF1413S0 Door panel with decor frame  
 KF1413Z0 Door panel with decor frame



## N 50, BUILT-IN FRIDGE, 122.5 X 56 CM, FLAT HINGE K11412FEO

- Fixed hinge, softClosing door: No

### Performance and Consumption

- EU19\_EEK\_D: E
- Total Volume : 204 l
- Net Fridge Volume : 204 l
- Net Freezer Volume : 0 l
- Annual Energy Consumption: 101 kWh/a
- Climate Class: SN-ST
- Noise Level : 35 dB , EU19\_Noise emission class\_D: B

### Functions

- built-in, partly integrated
- Fixed hinge
- Bright interior LED fridge light in fridge section
- Easy clean interior

### Design features

- Electronic control (LED chain)
- Automatic defrost fridge
- Single cooling circuit

### Design features

- 4 safety glass shelves in fridge compartment of which 4 are height adjustable
- 1 removable door storage compartments.

### Freshness System

- 1 FreshSafe drawer- The ideal place to store your fruit and vegetables safely.

### Dimension and installation

- Niche Dimensions: 122.5 cm H x 56 cm W x 55 cm D
- Dimensions: 122.1 cm H x 54.1 cm W x 54.8 cm D

### Key features - Fridge section

- Right hinged door, reversible
- 220 - 240 V

### Key features - Freezer section

- K11412FEO

### Country Specific Options

- Based on the results of the standard 24-hour test. Actual consumption depends on usage/position of the appliance.

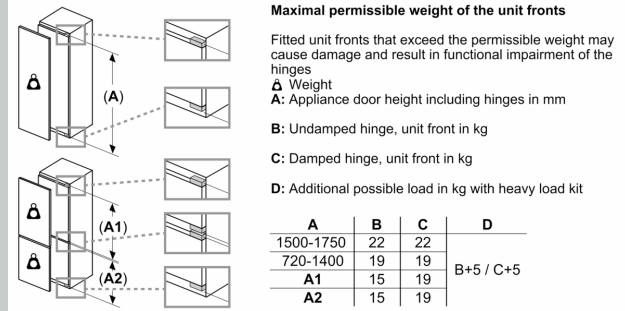
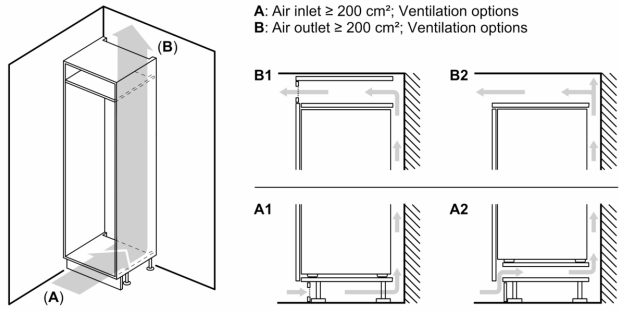
### Design features

### Dimension and installation

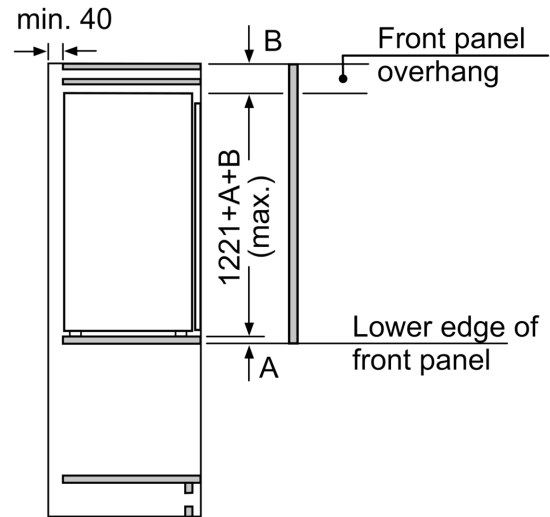
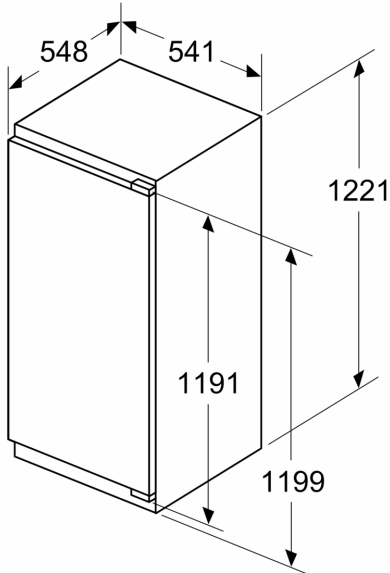
- Convenience and Safety
- value

### Additional features

N 50, BUILT-IN FRIDGE, 122.5 X 56 CM, FLAT HINGE  
K17412FE0

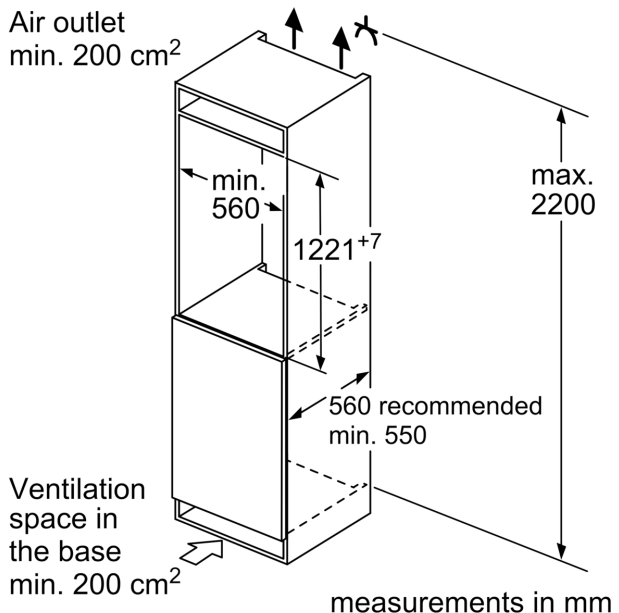


Measurements in mm



measurements in mm

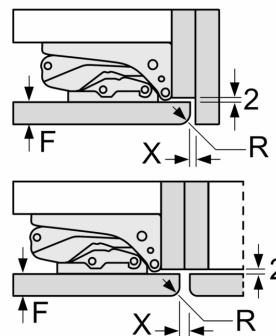
Air outlet  
min.  $200 \text{ cm}^2$



measurements in mm

measurements in mm

Recommended gap dimensions for flat hinges



F	R	X
16-19	0-3	2.5
20	0-1	3
	2-3	2.5
21	0-1	3
	2-3	2.5
22	0	4
	1	3.5
	2-3	3

The gap dimensions recommended in the table must be adhered to in order to ensure that appliance doors do not collide with anything when they are opened, and to avoid causing damage to kitchen units.